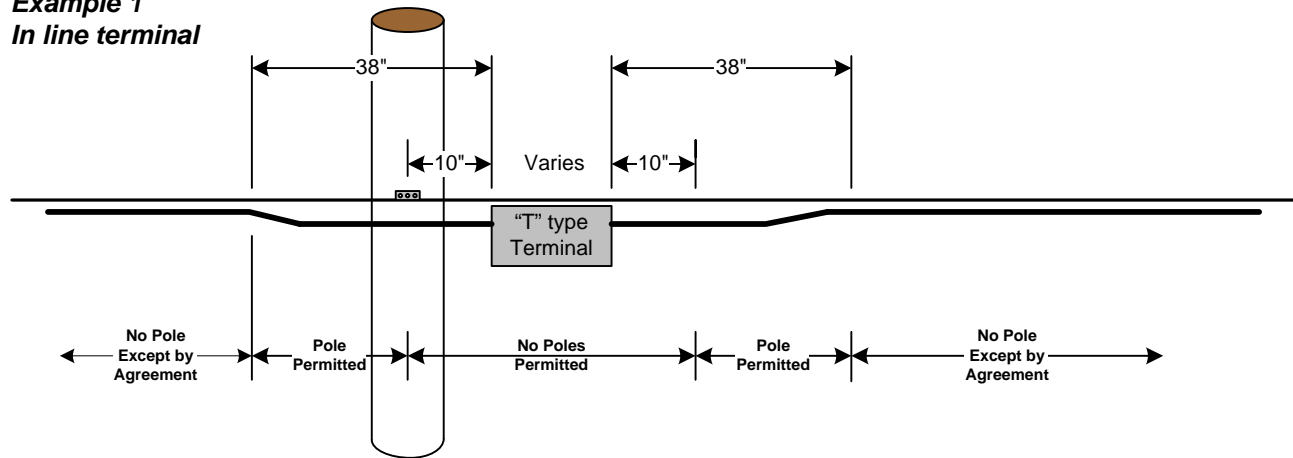
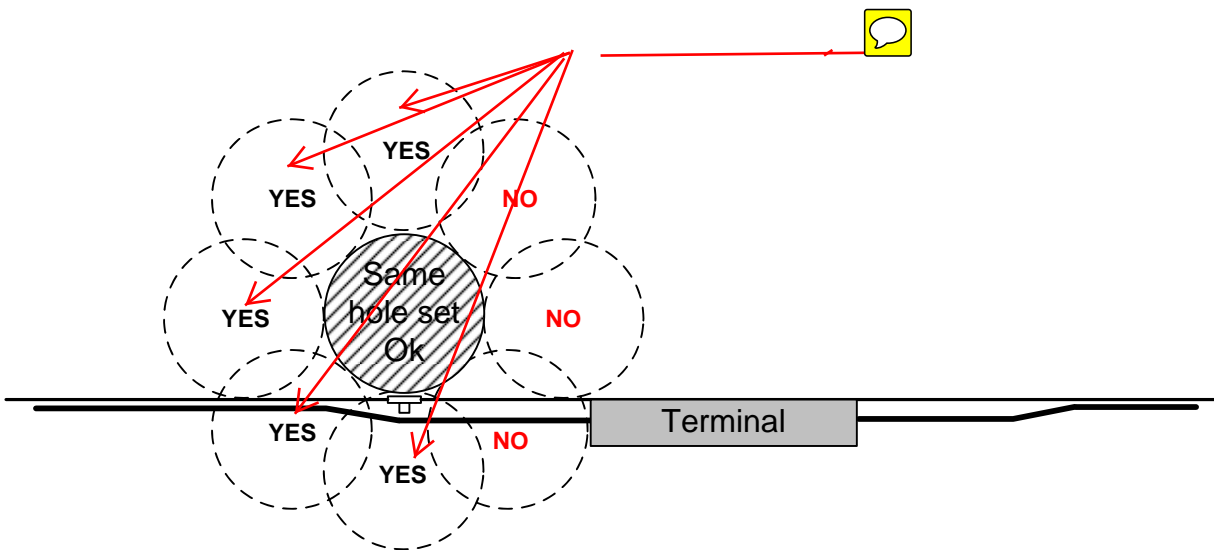


Except for "same hole sets" and equipment installations other than shown below, a joint meet with telephone company representative maybe required to reach an agreement. Measurements are for new sets only. This is only a guide for pole replacements and to be used as a guideline of possible pole locations that are permitted and not permitted.

Example 1
In line terminal



While not all poles can be replaced in the same hole, here are some guidelines to be considered when deciding the location of the new pole.



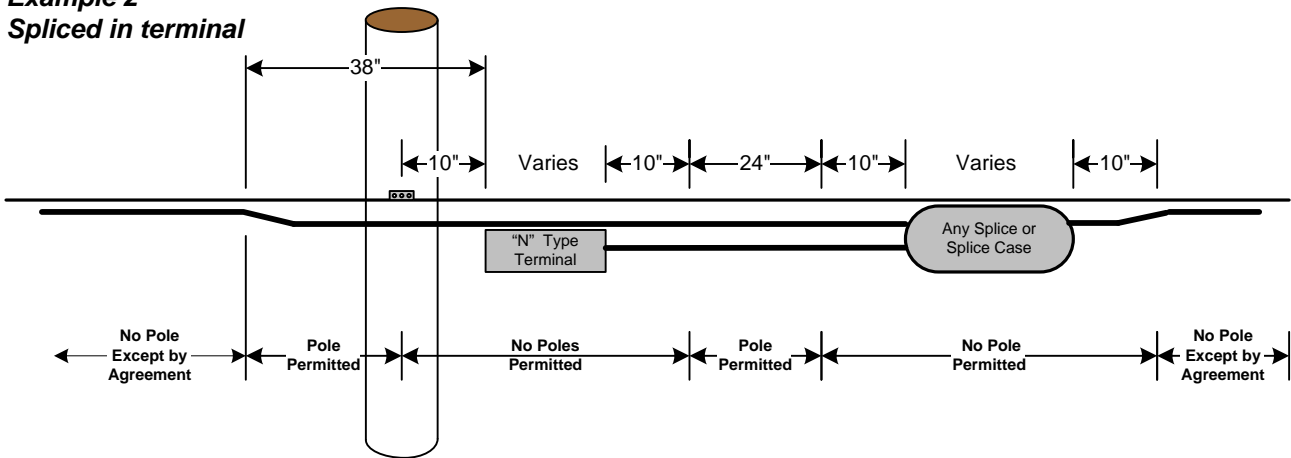
Above are some other options when a same hole set is not feasible. Every attempt should be made to set the new pole in such a location to reduce costly retrofitting by the other utility attached to the pole.

Note: In some cases pole steps may need to be removed, to set the new pole hard against the existing pole to reduce costly retrofitting of faculties.

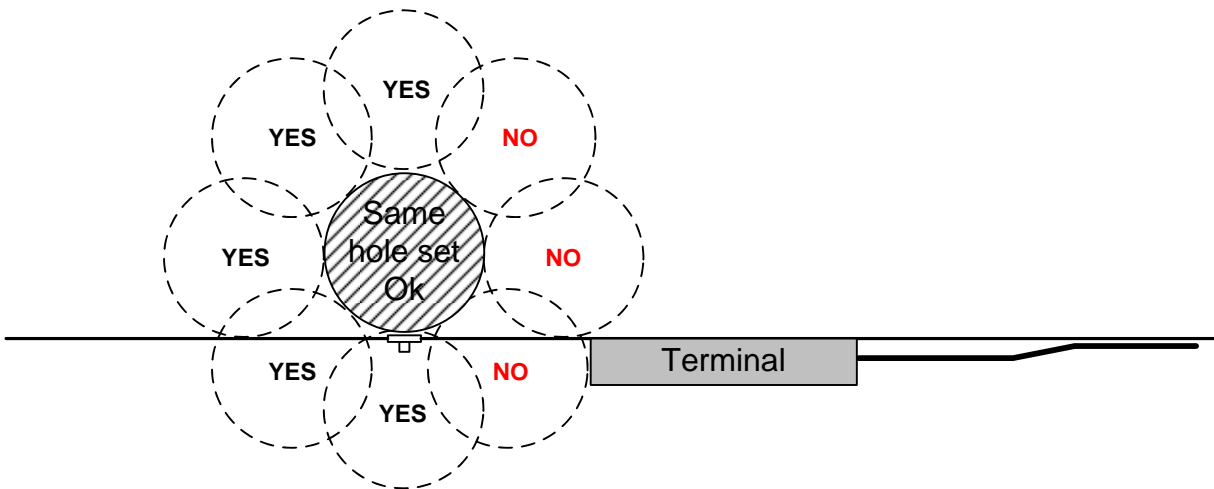
Tangent pole with in line phone terminal		Guide for Joint Pole Replacement in Vicinity of Cable Terminals, Splices, Risers, Etc. (Line Construction and Estimating Dept.) PACIFIC GAS AND ELECTRIC COMPANY <i>Do not copy or reproduce without the written permission of Pacific Gas and Electric Company</i>	Joint Utility Group	
Drawing: Brian K Morrow Tony Kennerly			Sheet No. 1 of 8	
DATE: 04/14/09	SCALE: None		DRAWING NUMBER Unassigned	CHANGE R7

Except for "same hole sets" and equipment installations other than shown below, a joint meet with telephone company representative maybe required to reach an agreement. Measurements are for new sets only. This is only a guide for pole replacements and to be used as a guideline of possible pole locations that are permitted and not permitted.

Example 2
Spliced in terminal



While not all poles can be replaced in the same hole, here are some guidelines to be considered when deciding the location of the new pole.



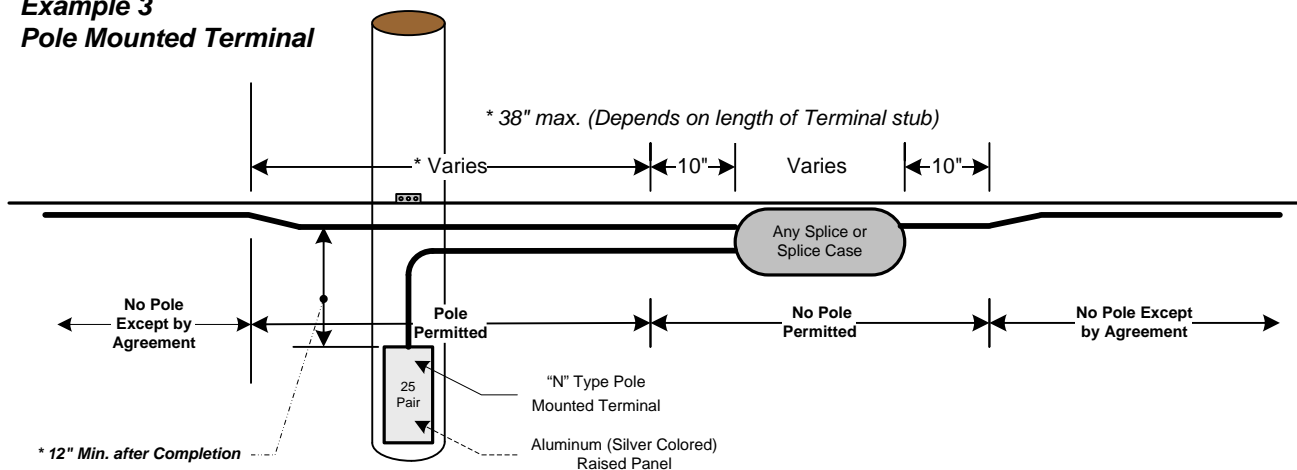
Above are some other options when a same hole set is not feasible. Every attempt should be made to set the new pole in such a location to reduce costly retrofitting by the other utility attached to the pole.

Note: In some cases pole steps may need to be removed, to set the new pole hard against the existing pole to reduce costly retrofitting of faculties.

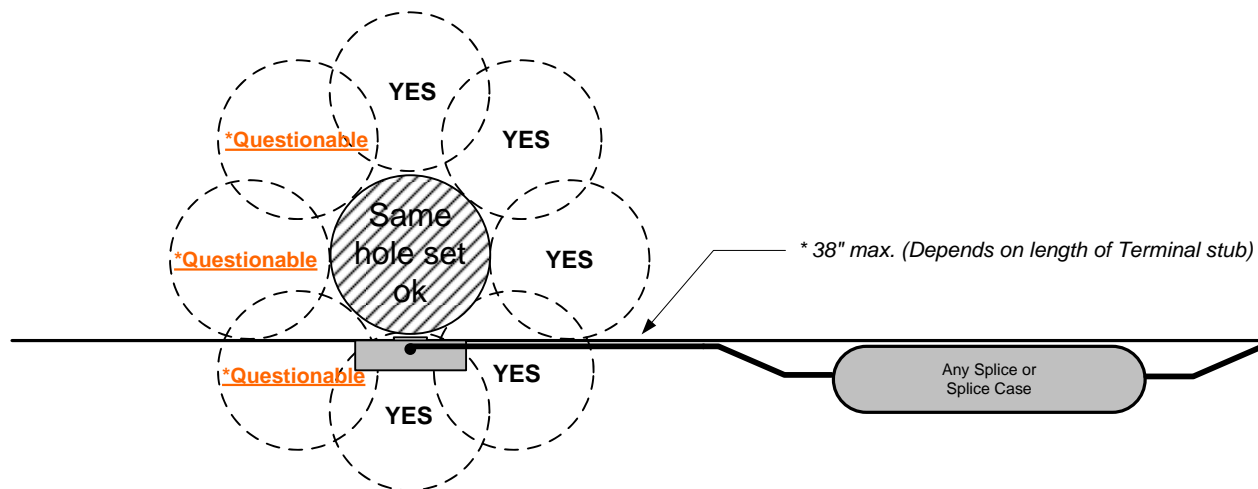
Tangent pole with spliced in phone terminal		Guide for Joint Pole Replacement in Vicinity of Cable Terminals, Splices, Risers, Etc. (Line Construction and Estimating Dept.) PACIFIC GAS AND ELECTRIC COMPANY <i>Do not copy or reproduce without the written permission of Pacific Gas and Electric Company</i>	Joint Utility Group	
Drawing: Brian K Morrow Tony Kennerly			Sheet No. 2 of 8	
DATE: 04/14/09	SCALE: None		DRAWING NUMBER Unassigned	CHANGE R7

Except for "same hole sets" and equipment installations other than shown below, a joint meet with telephone company representative maybe required to reach an agreement. Measurements are for new sets only. This is only a guide for pole replacements and to be used as a guideline of possible pole locations that are permitted and not permitted.

**Example 3
Pole Mounted Terminal**



While not all poles can be replaced in the same hole, here are some guidelines to be considered when deciding the location of the new pole.



Above are some other options when a same hole set is not feasible. Every attempt should be made to set the new pole in such a location to reduce costly retrofitting by the other utility attached to the pole.

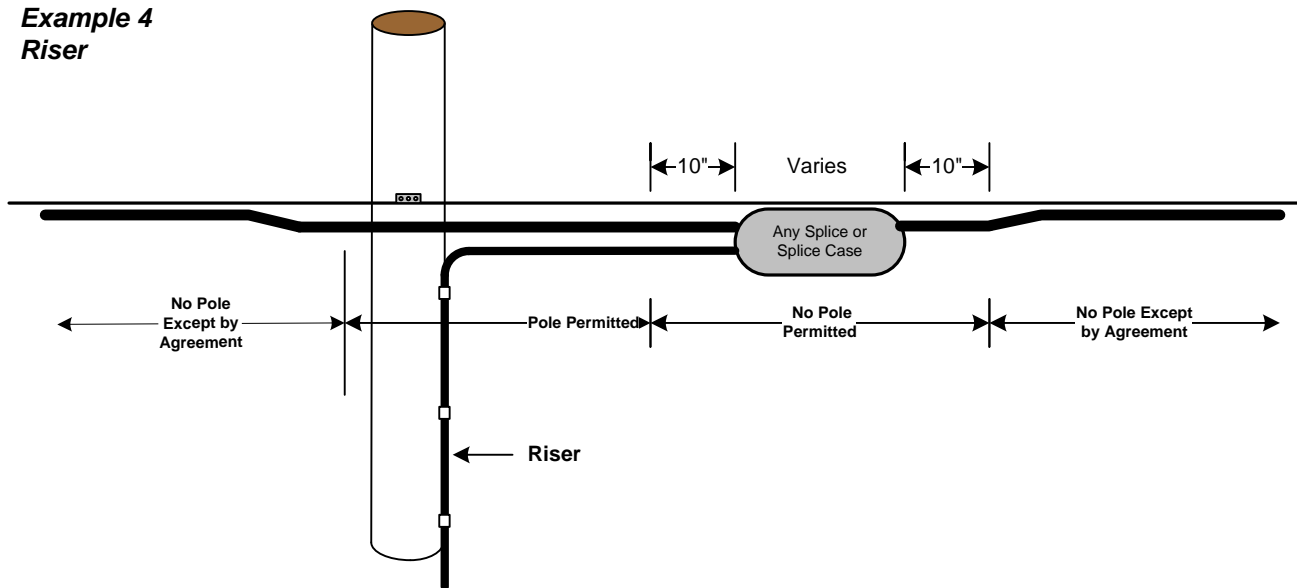
Note 1: "**Questionable**" placements, it is advised the crew lead contact the other utility, discuss/establish an agreement and be documented on the Form 48. Never hesitate to take a before and after photo to be placed in the job folder.

Note 2: In some cases pole steps may need to be removed, to set the new pole hard against the existing pole to reduce costly retrofitting of faculties.

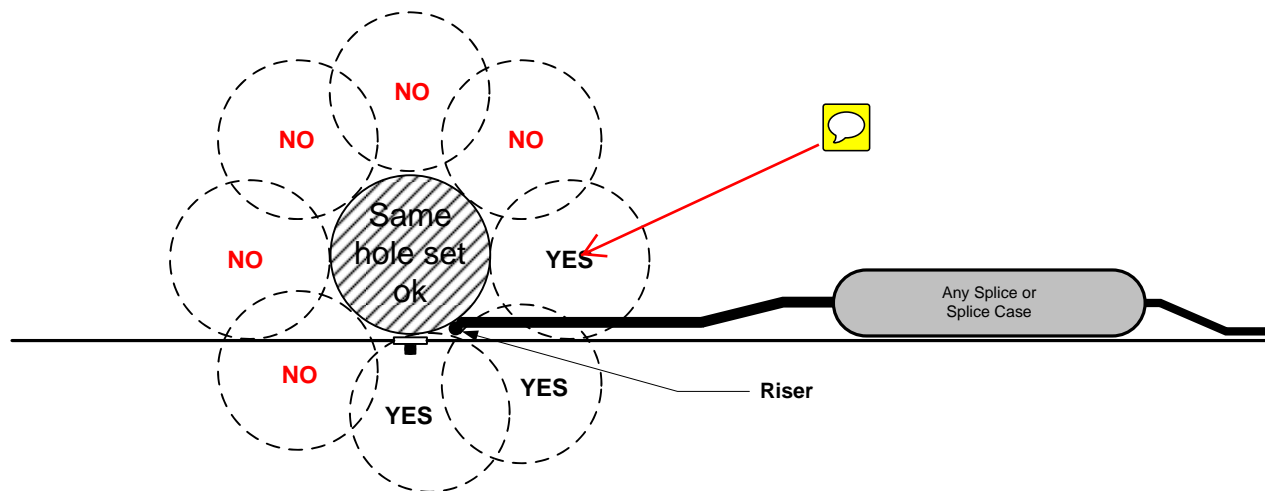
Tangent pole with pole mounted phone terminal		Guide for Joint Pole Replacement in Vicinity of Cable Terminals, Splices, Risers, Etc. (Line Construction and Estimating Dept.) PACIFIC GAS AND ELECTRIC COMPANY <i>Do not copy or reproduce without the written permission of Pacific Gas and Electric Company</i>	Joint Utility Group	
Drawing: Brian K Morrow Tony Kennerly			Sheet No. 3 of 8	
DATE: 04/14/09	SCALE: None		DRAWING NUMBER Unassigned	CHANGE R7

Except for "same hole sets" and equipment installations other than shown below, a joint meet with telephone company representative maybe required to reach an agreement. Measurements are for new sets only. This is only a guide for pole replacements and to be used as a guideline of possible pole locations that are permitted and not permitted.

**Example 4
Riser**



While not all poles can be replaced in the same hole, here are some guidelines to be considered when deciding the location of the new pole.



Above are some other options when a same hole set is not feasible. Every attempt should be made to set the new pole in such a location to reduce costly retrofitting by the other utility attached to the pole.

Note 1) In some cases pole steps may need to be removed, to set the new pole hard against the existing pole to reduce costly retrofitting of faculties.

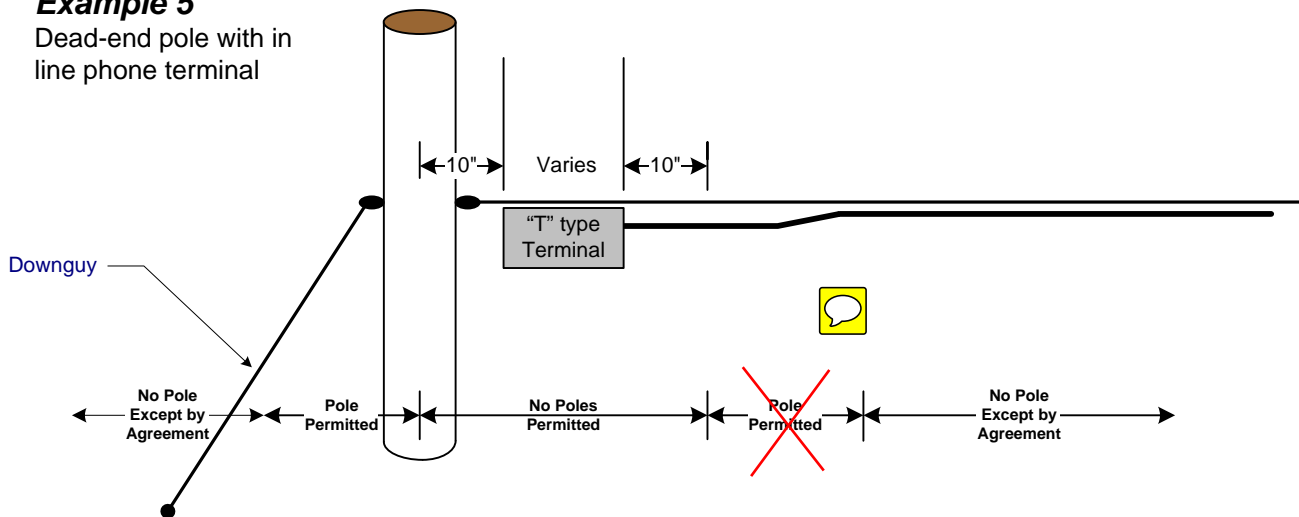
Note: 2) When risers are on the pole setting the new pole hard in a quadrant is preferred.

Tangent pole with phone riser		Guide for Joint Pole Replacement in Vicinity of Cable Terminals, Splices, Risers, Etc. (Line Construction and Estimating Dept.) PACIFIC GAS AND ELECTRIC COMPANY <i>Do not copy or reproduce without the written permission of Pacific Gas and Electric Company</i>	Joint Utility Group	
Drawing: Brian K Morrow Tony Kennerly			Sheet No. 4 of 8	
DATE: 04/14/09	SCALE: None		DRAWING NUMBER Unassigned	CHANGE R7

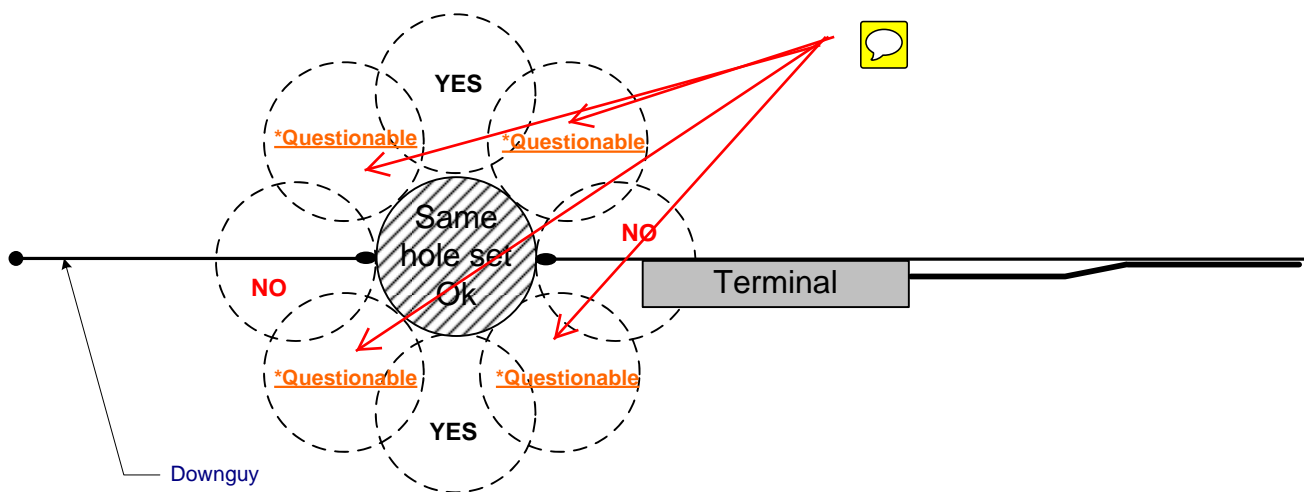
Except for "same hole sets" and equipment installations other than shown below, a joint meet with telephone company representative maybe required to reach an agreement. Measurements are for new sets only. This is only a guide for pole replacements and to be used as a guideline of possible pole locations that are permitted and not permitted.

Example 5

Dead-end pole with in line phone terminal



While not all poles can be replaced in the same hole, here are some guidelines to be considered when deciding the location of the new pole.



Above are some other options when a same hole set is not feasible. Every attempt should be made to set the new pole in such a location to reduce costly retrofitting by the other utility attached to the pole.

Note 1: **"*Questionable"** placements, it is advised the crew lead contact the other utility, discuss/establish an agreement and be documented on the Form 48. Never hesitate to take a before and after photo to be placed in the job folder.

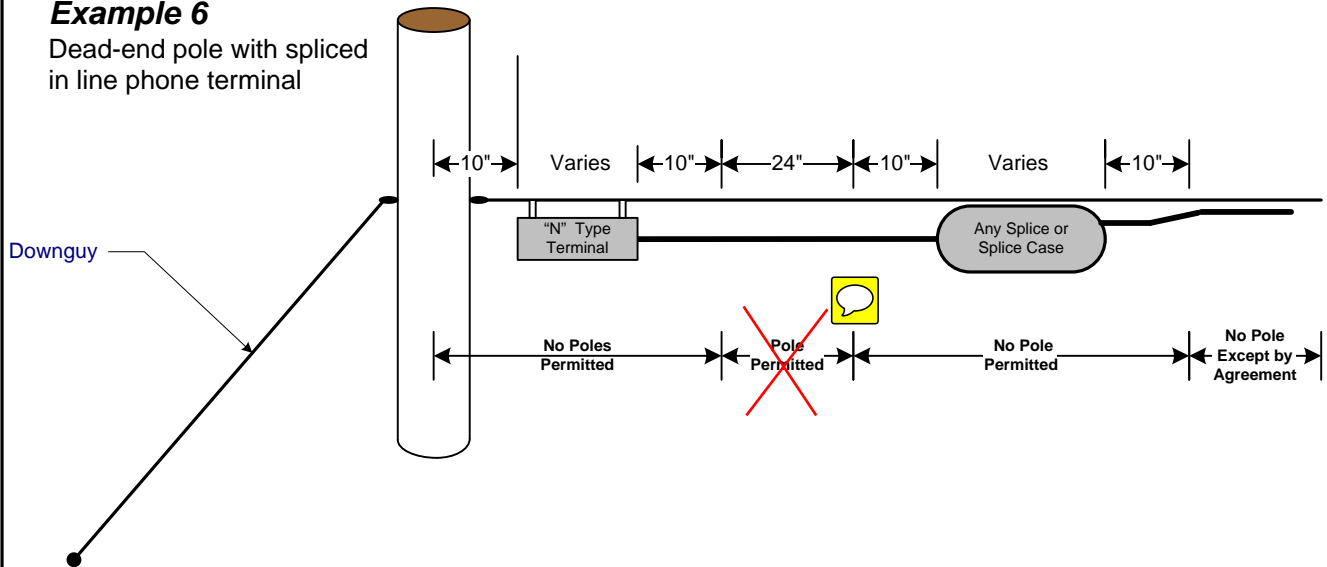
Note 2: In some cases pole steps may need to be removed, to set the new pole hard against the existing pole to reduce costly retrofitting of facilities.

Dead-end pole with in line phone terminal		Guide for Joint Pole Replacement in Vicinity of Cable Terminals, Splices, Risers, Etc. (Line Construction and Estimating Dept.) PACIFIC GAS AND ELECTRIC COMPANY <i>Do not copy or reproduce without the written permission of Pacific Gas and Electric Company</i>	Joint Utility Group	
Drawing: Brian K Morrow Tony Kennerly			Sheet No. 5 of 8	
DATE: 04/14/09	SCALE: None		DRAWING NUMBER Unassigned	CHANGE R7

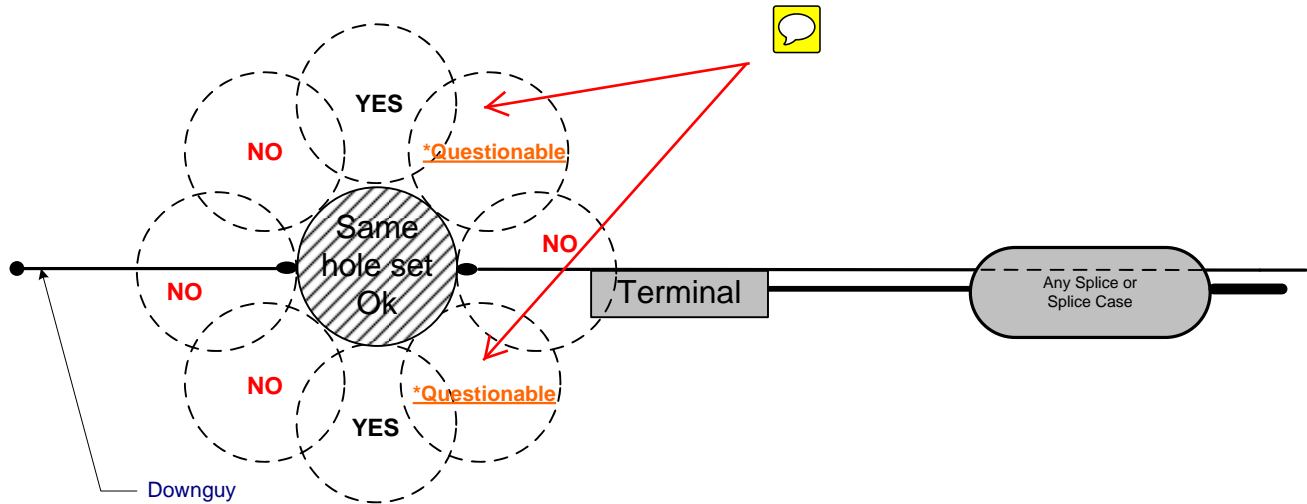
Except for "same hole sets" and equipment installations other than shown below, a joint meet with telephone company representative maybe required to reach an agreement. Measurements are for new sets only. This is only a guide for pole replacements and to be used as a guideline of possible pole locations that are permitted and not permitted.

Example 6

Dead-end pole with spliced in line phone terminal



While not all poles can be replaced in the same hole, here are some guidelines to be considered when deciding the location of the new pole.



Above are some other options when a same hole set is not feasible.

Every attempt should be made to set the new pole in such a location to reduce costly retrofitting by the other utility attached to the pole.

Note 1: **"*Questionable"** placements, it is advised the crew lead contact the other utility, discuss/establish an agreement and be documented on the Form 48. Never hesitate to take a before and after photo to be placed in the job folder.

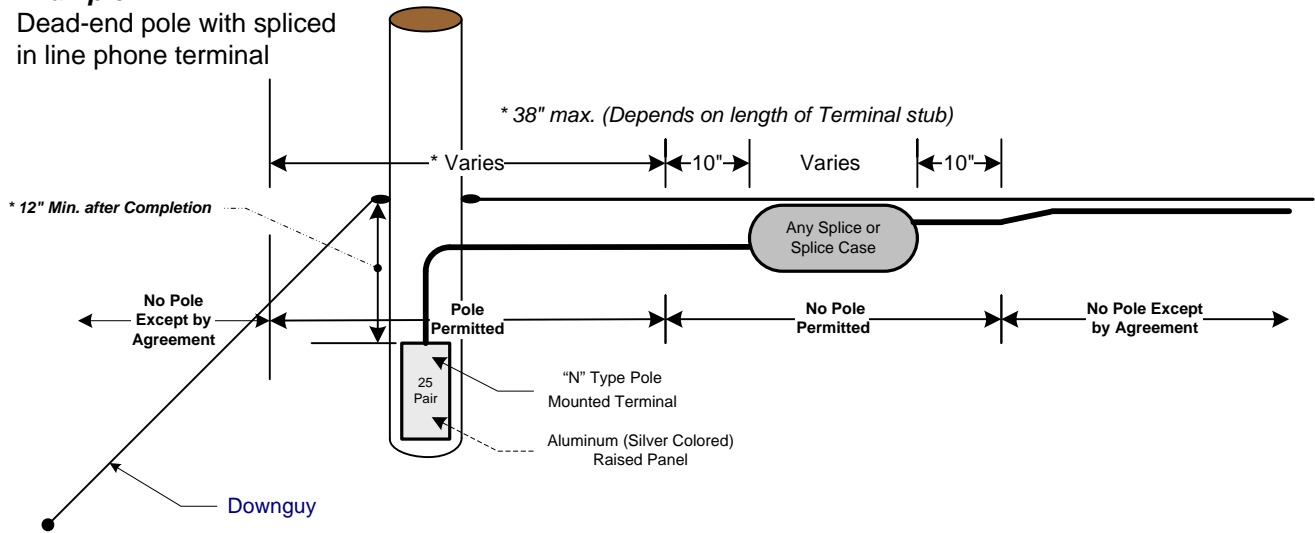
Note 2: In some cases pole steps may need to be removed, to set the new pole hard against the existing pole to reduce costly retrofitting of facilities.

Dead-end pole with spliced in line phone terminal		Guide for Joint Pole Replacement in Vicinity of Cable Terminals, Splices, Risers, Etc. (Line Construction and Estimating Dept.) PACIFIC GAS AND ELECTRIC COMPANY <i>Do not copy or reproduce without the written permission of Pacific Gas and Electric Company</i>		Joint Utility Group	
Drawing: Brian K Morrow Tony Kennerly				Sheet No. 6 of 8	
DATE: 04/14/09	SCALE: None			DRAWING NUMBER Unassigned	CHANGE R7

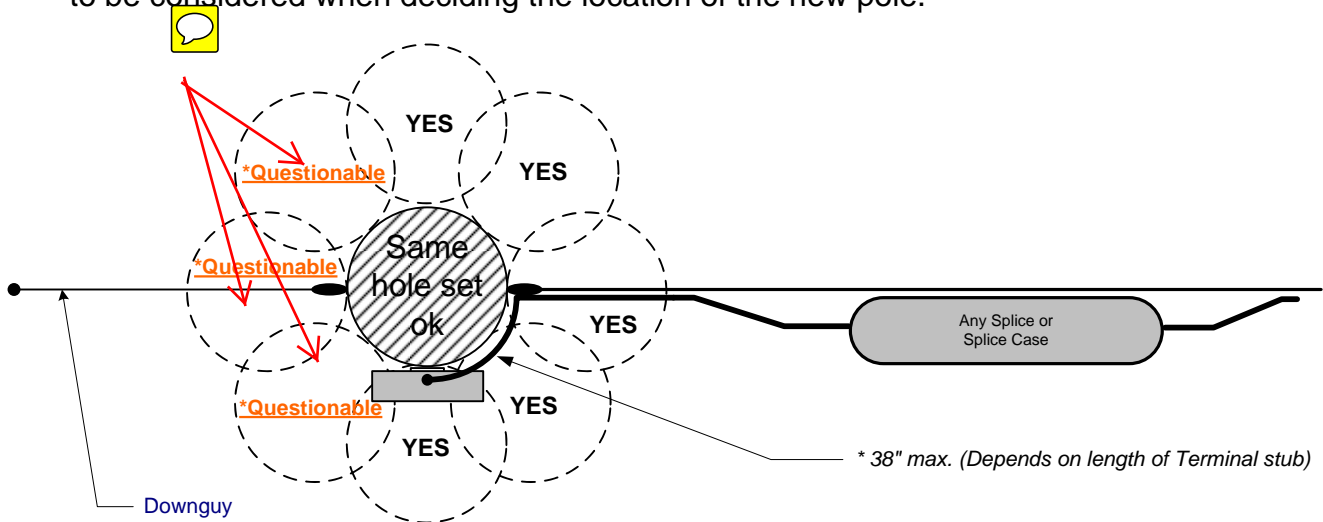
Except for "same hole sets" and equipment installations other than shown below, a joint meet with telephone company representative maybe required to reach an agreement. Measurements are for new sets only. This is only a guide for pole replacements and to be used as a guideline of possible pole locations that are permitted and not permitted.

Example 7

Dead-end pole with spliced in line phone terminal



While not all poles can be replaced in the same hole, here are some guidelines to be considered when deciding the location of the new pole.



Above are some other options when a same hole set is not feasible. Every attempt should be made to set the new pole in such a location to reduce costly retrofitting by the other utility attached to the pole.

Note 1: **"*Questionable"** placements, it is advised the crew lead contact the other utility, discuss/establish an agreement and be documented on the Form 48. Never hesitate to take a before and after photo to be placed in the job folder.

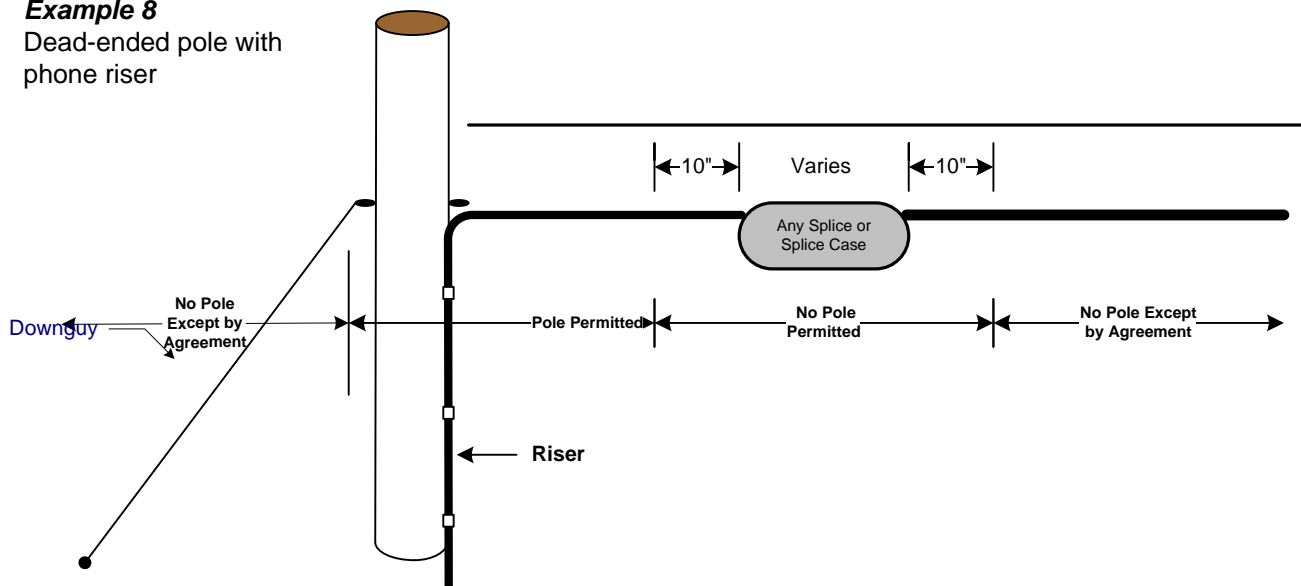
Note 2: In some cases pole steps may need to be removed, to set the new pole hard against the existing pole to reduce costly retrofitting of faculties.

Dead-end pole with pole mounted phone terminal		Guide for Joint Pole Replacement in Vicinity of Cable Terminals, Splices, Risers, Etc. (Line Construction and Estimating Dept.) PACIFIC GAS AND ELECTRIC COMPANY <i>Do not copy or reproduce without the written permission of Pacific Gas and Electric Company</i>	Joint Utility Group	
Drawing: Brian K Morrow Tony Kennerly			Sheet No. 7 of 8	
DATE: 04/14/09	SCALE: None	DRAWING NUMBER Unassigned		CHANGE R7

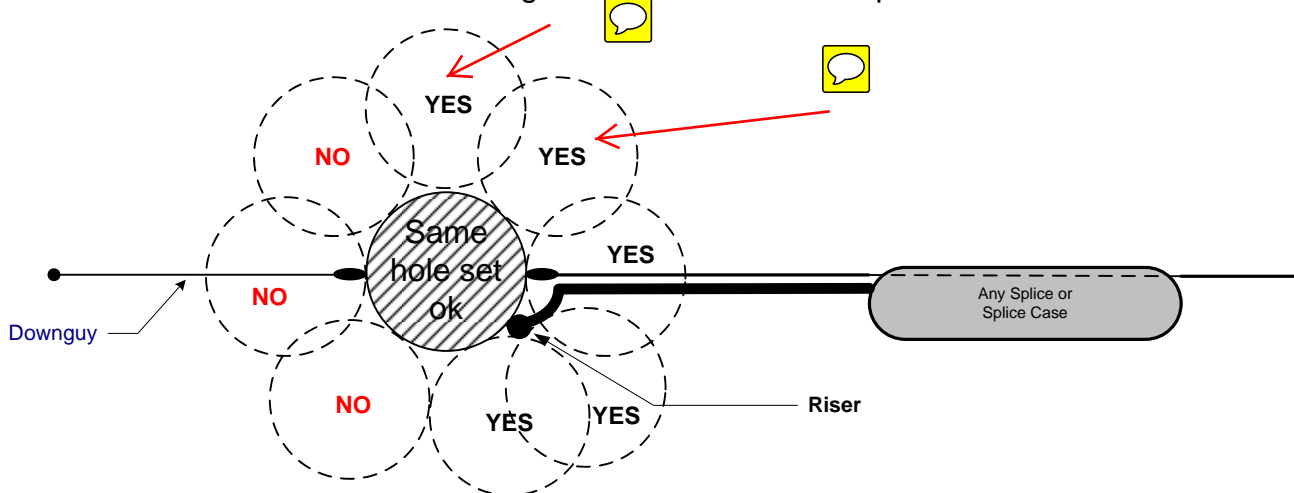
Except for "same hole sets" and equipment installations other than shown below, a joint meet with telephone company representative maybe required to reach an agreement. Measurements are for new sets only. This is only a guide for pole replacements and to be used as a guideline of possible pole locations that are permitted and not permitted.

Example 8

Dead-ended pole with phone riser



While not all poles can be replaced in the same hole, here are some guidelines to be considered when deciding the location of the new pole.



Above are some other options when a same hole set is not feasible. Every attempt should be made to set the new pole in such a location to reduce costly retrofitting by the other utility attached to the pole.

Note 1) In some cases pole steps may need to be removed, to set the new pole hard against the existing pole to reduce costly retrofitting of faculties.

Note: 2) When risers are on the pole setting the new pole hard in a quadrant is preferred.

Dead-ended pole with phone riser		Guide for Joint Pole Replacement in Vicinity of Cable Terminals, Splices, Risers, Etc. (Line Construction and Estimating Dept.) PACIFIC GAS AND ELECTRIC COMPANY <i>Do not copy or reproduce without the written permission of Pacific Gas and Electric Company</i>	Joint Utility Group	
Drawing: Brian K Morrow Tony Kennerly			Sheet No. 8 of 8	
DATE: 04/14/09	SCALE: None		DRAWING NUMBER Unassigned	CHANGE R7